

Technical Catalogue

Technical Catalogue

BLU LINE

Compression Fittings

Plastica Alfa 





Informazioni Tecniche - Technical Information

MATERIALI MATERIALS

RACCORDI A COMPRESSIONE BLU LINE BLU LINE COMPRESSION FITTINGS - RACCORDS A COMPRESSIION

Corpo: polipropilene nero (PP) ; **Ghiera:** polipropilene blu (PP)
Guarnizione: gomma nitrilica 70 Shore (NBR); **Anello di graffaggio:** resina acetalica (POM)
Anello di spinta: polipropilene nero; **Anello di rinforzo:** acciaio inox "AISI 430"
Flangia: poliammide nero (PACV)

Body: black polypropylene (PP) ; **Nut:** blue polypropylene (PP); **O-ring:** nitrile rubber 70 Shore (NBR)
Clinching ring: acetal resin (POM); **Thrust ring:** black PP
Reinforcing ring: stainless steel "AISI 430"
Flange: Black polyammide (PAGF)

Corp: Polypropylène noir (PP); **Ecrou:** Polypropylene blue (PP);
Joint torique: caoutchouc nitrile 70 shore (NBR); **Bague de serrage:** resin acetate (POM);
Insert: Polypropylene noir (PP); **Anneau de renforcement:** Acier "AISI 430"
Bride: Polyammide noir (PAGF)

PRESSIONE DI ESERCIZIO AMMISSIBILE (PFA) ALLOWABLE OPERATING PRESSURE (PFA)

16 : ø 16 mm ÷ Ø 110 mm
10 : ø 3 " filettato femmina - ø 3 "female thread - ø 3" taraudé
10 : ø 4 " filettato femmina - ø 4 "female thread - ø 4" taraudé
16 : Flangia - Flange - Bride

Massima pressione d'esercizio alla temperatura di 20° C
 Maximum working pressure at the temperature of 20° C
 Pression de travail max à la température de 20 °C.

PRESCRIZIONI SANITARIE SANITARY REGULATIONS

Pezzi speciali idonei al convogliamento di acqua potabile, vino, bevande e fluidi alimentari secondo le leggi e le prescrizioni valide in Italia ed in altri paesi. Conformi al D.M. 23/04/2009, D.M. 174 06/04/04 [ex D.M. 21/03/73] e Reg. UE n° 10/2011

Special pieces suitable for the conveyance of drinking water, wine, drinks and alimentary fluids according to the applicable regulations in Italy and other countries.
 In conformity with the Health Department Circular D.M. 23/04/2009 and D.M. 174 06/04/04 [ex D.M. 21/03/73] and Reg. UE n° 10/2011

Raccords propres pour la canalization d'eau potable et liquides alimentaires selon le prescription valid en Italie et outres pays.
 Conforme à la circulaire de le department Sanitaire No. D.M. 23/04/2009 et D.M. 17406/04/04 [ex (D.M. 21/03/73) et Reg. UE n° 10/2011

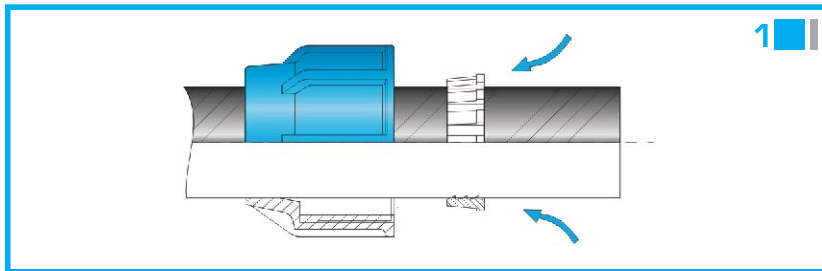
DIMENSIONI E CARATTERISTICHE DIMENSIONS AND CHARACTERISTICS

I raccordi a compressione BLU LINE sono conformi alle norme UNI 9561, ISO 14236, UNI 2223, UNI EN 712-713-715, UNI EN 10226-1,-2 [ex ISO 7/1];

The BLU LINE compression fittings are in conformity with the standard UNI 9561, ISO 14236, UNI 2223, UNI EN 712-713-715, UNI EN 10226-1,-2 [ex ISO 7/1];

Les raccords à compression BLULINE sont conformes à le standard UNI 9561, ISO 14236, UNI 2223, UNI EN 712-713- 715, UNI EN 10226-1,-2 [ex ISO7/];

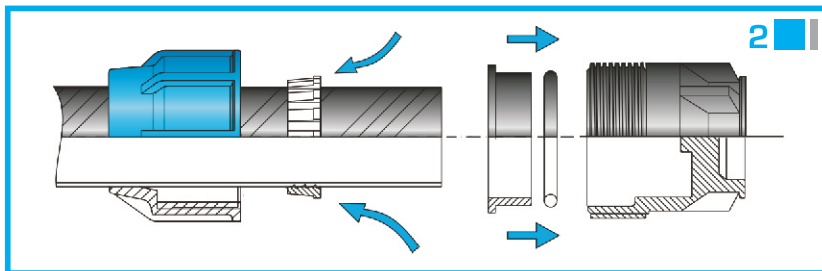
Schema di Montaggio - Assembly Instructions



Tagliare il tubo ortogonalmente all'asse e smussarlo all'estremità per facilitarne l'inserimento. Inserire la ghiera e l'anello di graffaggio.

Cut the pipe squarely and chamfer the ends to make the installation easier. Insert the nut and the clinching ring.

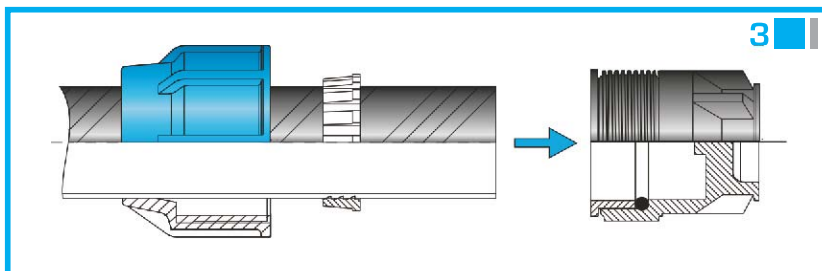
Couper le tube perpendiculaire à l'axe et chanfreiner l'extrémité pour faciliter l'insertion. Montez sur l'écrou et la bague de sertissage.



Assicurarsi che la guarnizione e l'anello di spinta siano inseriti nel corpo del raccordo.

Place the o' ring and the thrust ring on the body of the fitting.

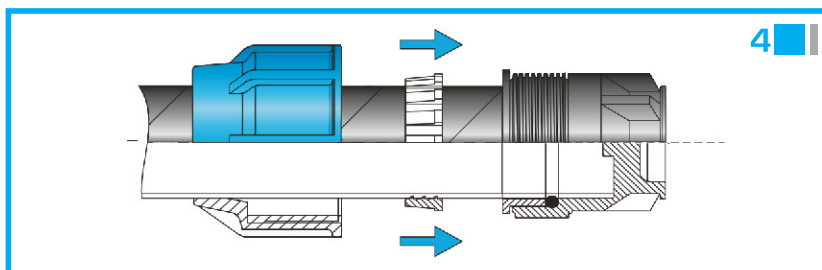
Assurez-vous que le joint torique et l'insert de poussée sont insérés dans le corps du raccord.



Inserire il tubo nel corpo del raccordo fino alla battuta.

Insert the PE pipe into the body of the Fitting and push it to the beat.

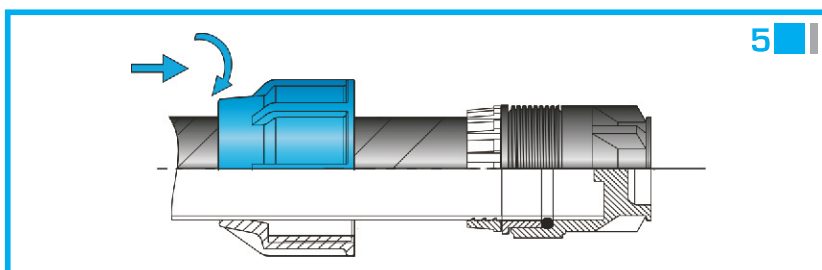
Insérer le tuyau dans le corps du raccord jusqu'à ce qu'il s'arrête.



Spostare l'anello di graffaggio lungo l'asse ed accostarlo all'anello di spinta.

Move the clinching ring and push it against the thrust ring

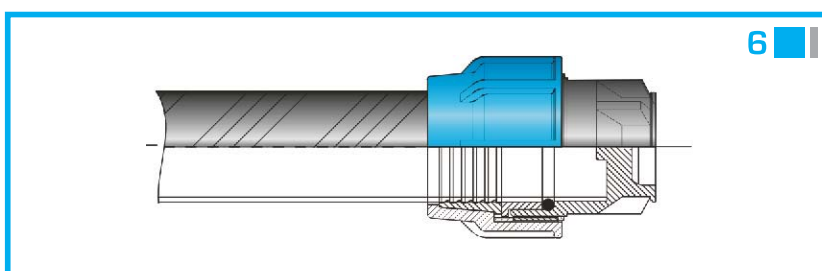
Déplacer la bague de sertissage long de l'axe et l'approcher à l'insert de poussée.



Avvitare la ghiera manualmente quindi utilizzare una chiave di serraggio per completare l'operazione.

Tighten the nut manually first, then use a strap or chain wrench to complete the operation.

Serrer l'écrou à la main, puis utiliser une clé pour terminer l'opération.



Per un corretto funzionamento si consiglia l'utilizzo di tubi conformi alle norme internazionali.

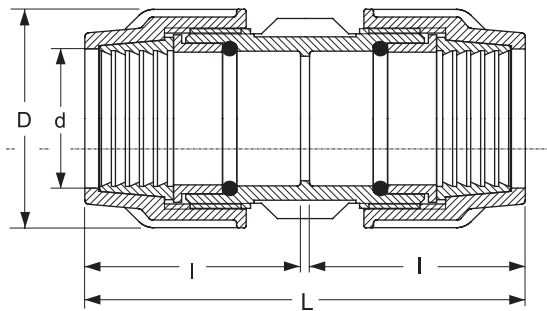
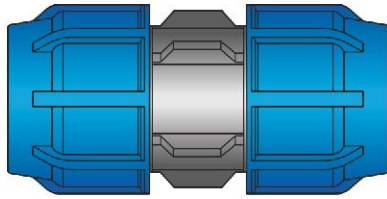
For the proper functioning, pipes in accordance with the international standards are recommended.

Pour des performances optimales, nous recommandons l'utilisation de tubes en conformité avec les normes internationales.

Manicotto

Coupling - Manguito - Manchon

13910

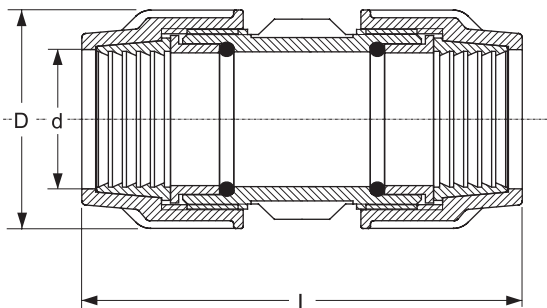


| dx d | D | L | l |
|------|-----|-----|-----|
| 16 | 40 | 87 | 42 |
| 20 | 44 | 109 | 53 |
| 25 | 52 | 121 | 59 |
| 32 | 63 | 137 | 67 |
| 40 | 76 | 167 | 82 |
| 50 | 91 | 184 | 90 |
| 63 | 107 | 214 | 105 |
| 75 | 125 | 243 | 119 |
| 90 | 150 | 307 | 151 |
| 110 | 176 | 349 | 171 |

Manicotto di riparazione

Coupling - Manguito - Manchon

13910-SB

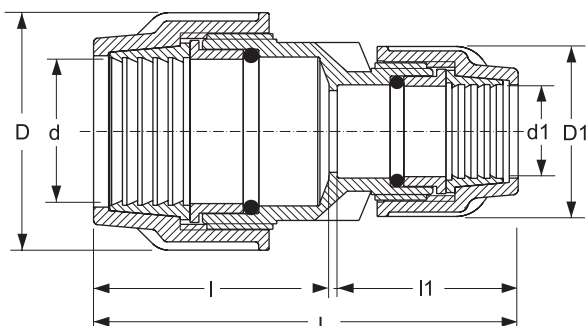
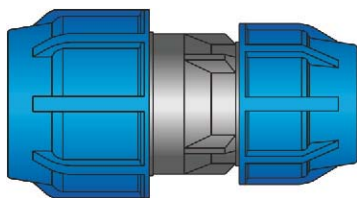


| dx d | D | L |
|------|-----|-----|
| 90 | 150 | 307 |
| 110 | 176 | 349 |

Manicotto Ridotto

Reducing Coupling - Manchon Réduit - Manguito Reducido

13920

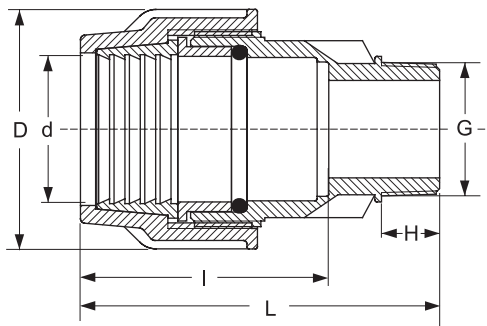
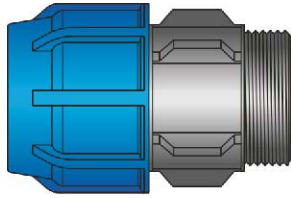


| dx d1 | D | D1 | L | l | l1 |
|--------|-----|-----|-----|-----|-----|
| 20x16 | 44 | 40 | 98 | 53 | 42 |
| 25x20 | 52 | 44 | 115 | 59 | 53 |
| 32x20 | 63 | 44 | 124 | 67 | 53 |
| 32x25 | 63 | 52 | 129 | 67 | 59 |
| 40x32 | 76 | 63 | 153 | 82 | 67 |
| 50x40 | 91 | 76 | 175 | 89 | 82 |
| 63x32 | 107 | 63 | 176 | 105 | 67 |
| 63x40 | 107 | 76 | 191 | 105 | 82 |
| 63x50 | 107 | 91 | 199 | 105 | 90 |
| 75x40 | 125 | 76 | 205 | 119 | 82 |
| 75x50 | 125 | 91 | 213 | 119 | 90 |
| 75x63 | 125 | 107 | 229 | 119 | 105 |
| 90x63 | 150 | 107 | 262 | 151 | 105 |
| 90x75 | 150 | 125 | 276 | 151 | 119 |
| 110x75 | 176 | 125 | 297 | 171 | 119 |
| 110x90 | 176 | 150 | 329 | 171 | 151 |

Raccordo Maschio

15910

Male Adaptor - Raccord Male - Empalme Macho

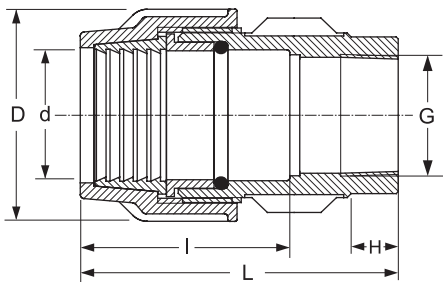
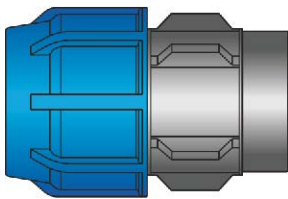


| dxG | D | L | I | H |
|-----------|-----|-----|-----|----|
| 16x1/2" | 40 | 75 | 42 | 18 |
| 16x3/4" | 40 | 75 | 42 | 18 |
| 20x1/2" | 44 | 88 | 53 | 18 |
| 20x3/4" | 44 | 88 | 53 | 18 |
| 25x1/2" | 52 | 94 | 59 | 18 |
| 25x3/4" | 52 | 95 | 59 | 18 |
| 25x1" | 52 | 97 | 59 | 20 |
| 32x3/4" | 63 | 102 | 67 | 18 |
| 32x1" | 63 | 106 | 67 | 20 |
| 32x1 1/4" | 63 | 108 | 67 | 22 |
| 40x1" | 76 | 127 | 82 | 22 |
| 40x1 1/4" | 76 | 129 | 82 | 24 |
| 40x1 1/2" | 76 | 129 | 82 | 24 |
| 50x1 1/2" | 91 | 140 | 90 | 24 |
| 50x2" | 91 | 141 | 90 | 26 |
| 63x1 1/2" | 107 | 154 | 105 | 24 |
| 63x2" | 107 | 160 | 105 | 26 |
| 63x2 1/2" | 107 | 160 | 105 | 26 |
| 75x2" | 125 | 179 | 119 | 26 |
| 75x2 1/2" | 125 | 178 | 119 | 26 |
| 75x3" | 125 | 180 | 119 | 28 |
| 90x2" | 150 | 213 | 151 | 28 |
| 90x2 1/2" | 150 | 213 | 151 | 28 |
| 90x3" | 150 | 213 | 151 | 28 |
| 90x4" | 150 | 224 | 151 | 35 |
| 110x3" | 176 | 237 | 158 | 28 |
| 110x4" | 176 | 244 | 171 | 35 |

Raccordo Femmina

15920

Female Adaptor - Raccord Femelle - Empalme Hembra

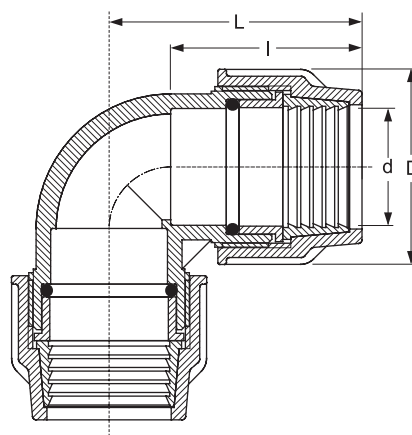
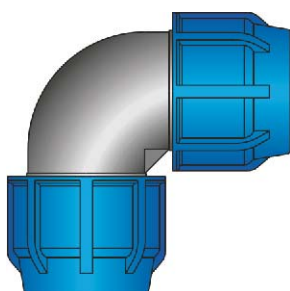


| dxG | D | L | I | H |
|-----------|-----|-----|-----|----|
| 16x1/2" | 40 | 83 | 42 | 18 |
| 16x3/4" | 40 | 83 | 42 | 18 |
| 20x1/2" | 44 | 89 | 53 | 18 |
| 20x3/4" | 44 | 90 | 53 | 18 |
| 25x3/4" | 52 | 95 | 59 | 18 |
| 25x1" | 52 | 99 | 59 | 20 |
| 32x3/4" | 63 | 104 | 67 | 18 |
| 32x1" | 63 | 106 | 67 | 20 |
| 32x1 1/4" | 63 | 108 | 67 | 22 |
| 40x1" | 76 | 123 | 82 | 20 |
| 40x1 1/4" | 76 | 128 | 82 | 22 |
| 40x1 1/2" | 76 | 128 | 82 | 27 |
| 50x1 1/2" | 91 | 139 | 90 | 27 |
| 50x2" | 91 | 145 | 90 | 29 |
| 63x2" | 107 | 160 | 105 | 29 |
| 75x2" | 125 | 174 | 119 | 29 |
| 75x2 1/2" | 125 | 179 | 119 | 30 |
| 90x3" | 150 | 217 | 151 | 33 |
| 110x4" | 176 | 249 | 171 | 35 |

Gomito a 90°

16950

90° Elbow - Coude 90° - Codo 90°

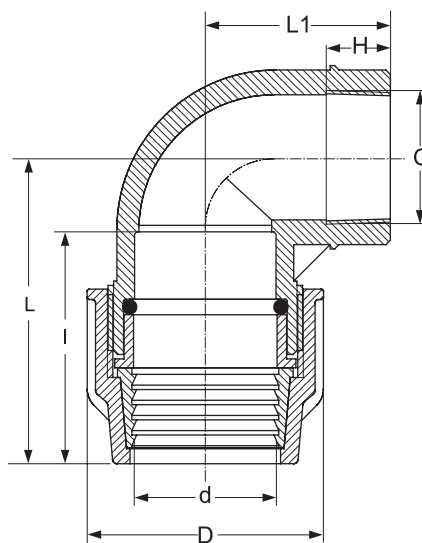
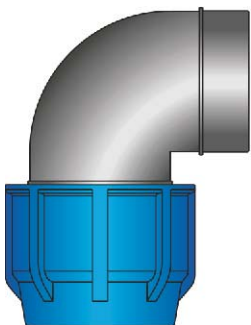


| d | D | L | I |
|-----|-----|-----|-----|
| 16 | 40 | 52 | 42 |
| 20 | 44 | 65 | 53 |
| 25 | 52 | 73 | 59 |
| 32 | 63 | 84 | 67 |
| 40 | 76 | 103 | 82 |
| 50 | 91 | 117 | 90 |
| 63 | 107 | 138 | 105 |
| 75 | 125 | 159 | 119 |
| 90 | 150 | 201 | 151 |
| 110 | 176 | 230 | 171 |

Gomito a 90° Filettato Femmina

16935

90° female threaded elbow - Coude 90° taraudé - Codo 90° roscado hembra

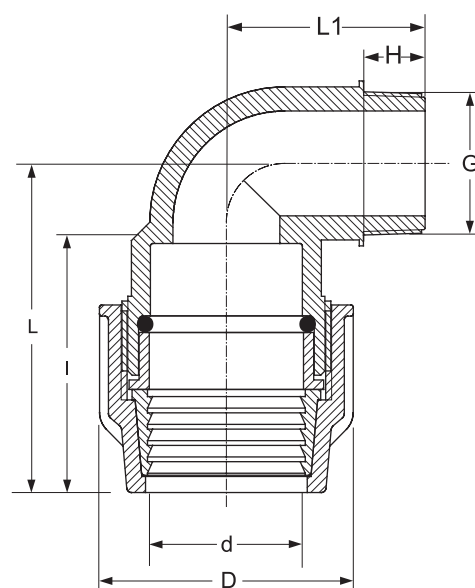
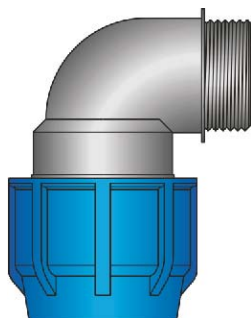


| dxG | D | L | I | L1 | H |
|-----------|-----|-----|-----|-----|----|
| 16x1/2" | 40 | 52 | 42 | 42 | 18 |
| 16x3/4" | 40 | 52 | 42 | 42 | 18 |
| 20x1/2" | 44 | 65 | 53 | 42 | 18 |
| 20x3/4" | 44 | 65 | 53 | 42 | 18 |
| 25x3/4" | 52 | 73 | 59 | 47 | 18 |
| 25x1" | 52 | 73 | 59 | 50 | 20 |
| 32x3/4" | 63 | 84 | 67 | 51 | 18 |
| 32x1" | 63 | 84 | 67 | 53 | 20 |
| 40x1"1/4" | 76 | 103 | 82 | 61 | 22 |
| 50x1"1/2" | 91 | 117 | 90 | 71 | 27 |
| 63x2" | 107 | 138 | 105 | 85 | 29 |
| 75x2" | 125 | 159 | 119 | 96 | 29 |
| 75x2"1/2" | 125 | 159 | 119 | 97 | 30 |
| 90x2"1/2" | 150 | 201 | 151 | 108 | 30 |
| 90x3" | 150 | 201 | 151 | 111 | 33 |
| 110x3" | 176 | 230 | 171 | 124 | 33 |
| 110x4" | 176 | 230 | 171 | 129 | 35 |

Gomito a 90° Filettato Maschio

16925

90° male threaded elbow - Coude 90° fileté - Codo 90° roscado macho

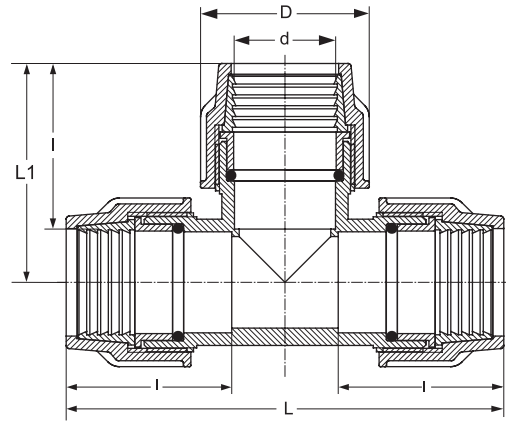
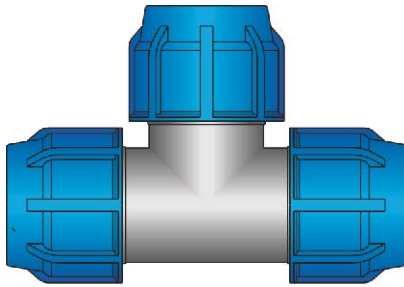


| dxG | D | L | I | L1 | H |
|----------|-----|-----|-----|-----|----|
| 16x3/8" | 40 | 52 | 42 | 40 | 18 |
| 16x1/2" | 40 | 52 | 42 | 40 | 18 |
| 16x3/4" | 40 | 52 | 42 | 40 | 18 |
| 20x1/2" | 44 | 65 | 53 | 45 | 18 |
| 20x3/4" | 44 | 65 | 53 | 45 | 18 |
| 25x1/2" | 52 | 73 | 59 | 49 | 18 |
| 25x3/4" | 52 | 73 | 59 | 49 | 18 |
| 25x1" | 52 | 73 | 59 | 51 | 22 |
| 32x3/4" | 63 | 84 | 67 | 53 | 18 |
| 32x1" | 63 | 84 | 67 | 56 | 22 |
| 32x1"1/4 | 63 | 84 | 67 | 63 | 24 |
| 40x1" | 76 | 103 | 82 | 61 | 22 |
| 40x1"1/4 | 76 | 103 | 82 | 64 | 24 |
| 40x1"1/2 | 76 | 103 | 82 | 66 | 26 |
| 40x2" | 76 | 103 | 82 | 68 | 28 |
| 50x1"1/4 | 91 | 117 | 90 | 71 | 24 |
| 50x1"1/2 | 91 | 117 | 90 | 73 | 26 |
| 50x2" | 91 | 117 | 90 | 75 | 28 |
| 63x1"1/2 | 107 | 138 | 105 | 84 | 26 |
| 63x2" | 107 | 138 | 105 | 86 | 28 |
| 63x2"1/2 | 107 | 138 | 105 | 86 | 28 |
| 75x2" | 125 | 159 | 119 | 96 | 28 |
| 75x2"1/2 | 125 | 159 | 119 | 96 | 30 |
| 75x3" | 125 | 159 | 119 | 98 | 30 |
| 90x3" | 150 | 201 | 151 | 111 | 30 |
| 90x4" | 150 | 201 | 151 | 116 | 35 |
| 110x4" | 176 | 203 | 171 | 129 | 35 |

Tee 90°

14910

90° Tee - Té 90° - Te 90°

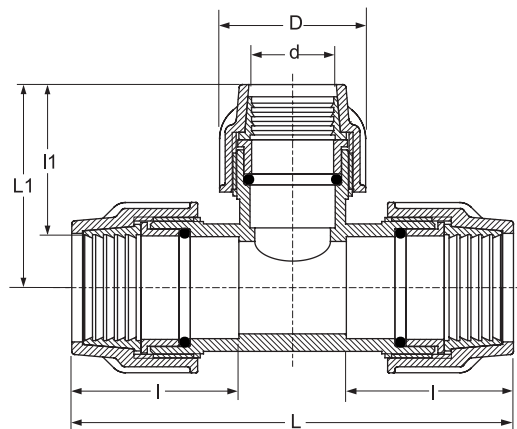
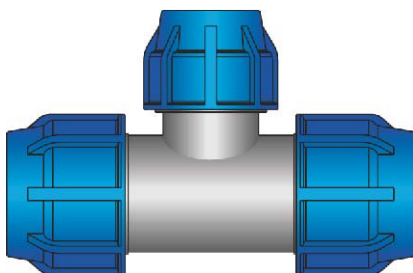


| d | D | L | I | L1 |
|-----|-----|-----|-----|-----|
| 16 | 40 | 105 | 42 | 52 |
| 20 | 44 | 130 | 53 | 65 |
| 25 | 52 | 147 | 59 | 73 |
| 32 | 63 | 168 | 67 | 84 |
| 40 | 76 | 207 | 82 | 103 |
| 50 | 91 | 234 | 90 | 117 |
| 63 | 107 | 277 | 105 | 138 |
| 75 | 125 | 319 | 119 | 159 |
| 90 | 150 | 402 | 151 | 201 |
| 110 | 176 | 460 | 171 | 230 |

Tee 90° Ridotto

14920

90° Reducing Tee - Té 90° Réduit - Te 90° Reducida

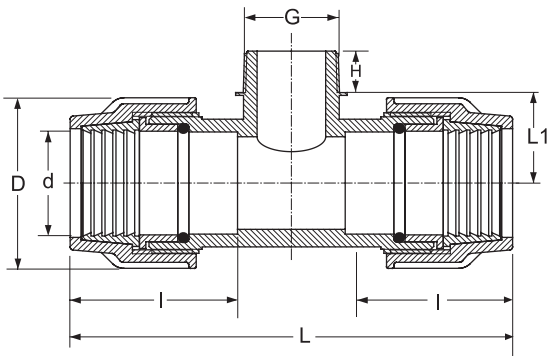
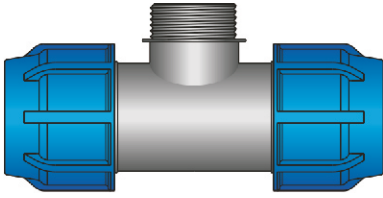


| dx d1 x d | D1 | D | L | I | L1 | I1 |
|------------|-----|-----|-----|-----|-----|-----|
| 20x16x20 | 40 | 44 | 130 | 53 | 54 | 42 |
| 25x20x25 | 44 | 52 | 147 | 59 | 68 | 53 |
| 32x25x32 | 52 | 63 | 168 | 67 | 78 | 59 |
| 40x32x40 | 63 | 76 | 207 | 82 | 91 | 67 |
| 50x32x50 | 63 | 91 | 234 | 90 | 98 | 67 |
| 50x40x50 | 76 | 91 | 234 | 90 | 110 | 82 |
| 63x50x63 | 91 | 107 | 277 | 105 | 127 | 90 |
| 75x63x75 | 107 | 125 | 319 | 119 | 144 | 105 |
| 90x75x90 | 125 | 150 | 402 | 151 | 166 | 119 |
| 110x90x110 | 150 | 176 | 460 | 171 | 209 | 151 |

Tee 90° filettato maschio

14930

90° male threaded tee - Té 90° fileté - Te 90° roscada macho

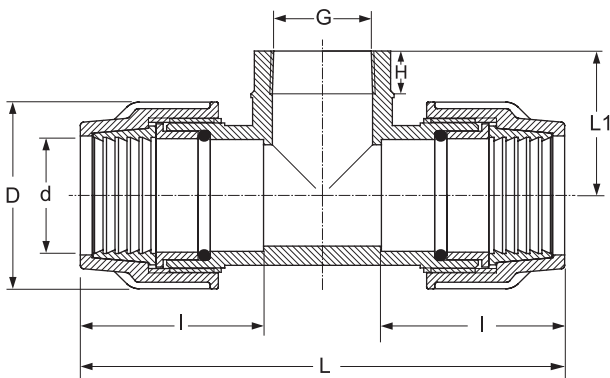
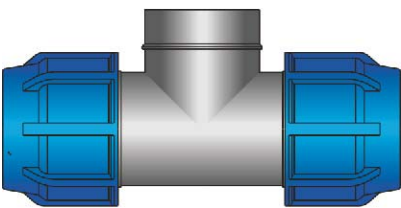


| dxGxd | D | L | I | L1 | H |
|-------------|-----|-----|-----|-----|----|
| 16x3/8"x16 | 40 | 105 | 42 | 40 | 18 |
| 16x1/2"x16 | 40 | 105 | 42 | 40 | 18 |
| 16x3/4"x16 | 40 | 105 | 42 | 40 | 18 |
| 20x1/2"x20 | 44 | 130 | 53 | 45 | 18 |
| 20x3/4"x20 | 44 | 130 | 53 | 45 | 18 |
| 20x3/4"x25 | 52 | 147 | 59 | 49 | 18 |
| 25x1"x25 | 52 | 147 | 59 | 51 | 22 |
| 32x3/4"x32 | 63 | 168 | 67 | 53 | 18 |
| 32x1"x32 | 63 | 168 | 67 | 56 | 22 |
| 40x1"x40 | 76 | 207 | 82 | 61 | 22 |
| 40x1"1/4x40 | 76 | 207 | 82 | 64 | 24 |
| 40x1"1/2x40 | 76 | 207 | 82 | 66 | 26 |
| 50x1"1/2x50 | 91 | 234 | 90 | 73 | 26 |
| 50x2"x50 | 91 | 234 | 90 | 75 | 28 |
| 63x2"x63 | 107 | 277 | 105 | 86 | 28 |
| 63x2"1/2x63 | 107 | 277 | 105 | 86 | 28 |
| 75x2"x75 | 125 | 319 | 119 | 96 | 28 |
| 75x2"1/2x75 | 125 | 319 | 119 | 96 | 28 |
| 75x3"x75 | 125 | 319 | 119 | 98 | 30 |
| 90x3"x90 | 150 | 402 | 151 | 111 | 30 |
| 90x4"x90 | 150 | 402 | 151 | 116 | 35 |
| 110x3"x110 | 176 | 460 | 171 | 129 | 30 |
| 110x4"x110 | 176 | 460 | 171 | 129 | 35 |

Tee 90° filettato femmina

14940

90° female threaded tee - Te 90° taraudé - Te 90° roscada hembra

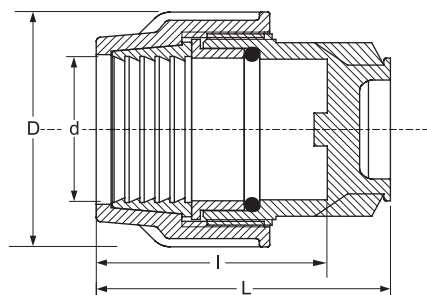
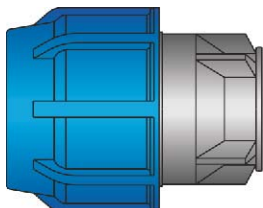


| dxGxd | D | L | I | L1 | H |
|-------------|-----|-----|-----|-----|----|
| 16x1/2"x16 | 40 | 105 | 42 | 42 | 18 |
| 16x3/4"x16 | 40 | 105 | 42 | 42 | 18 |
| 20x1/2"x20 | 44 | 130 | 53 | 42 | 18 |
| 20x3/4"x20 | 44 | 130 | 53 | 42 | 18 |
| 25x3/4"x25 | 52 | 147 | 59 | 47 | 18 |
| 25x1"x25 | 52 | 147 | 59 | 50 | 20 |
| 32x3/4"x32 | 63 | 168 | 67 | 51 | 18 |
| 32x1"x32 | 63 | 168 | 67 | 53 | 20 |
| 40x1"x40 | 76 | 207 | 82 | 60 | 20 |
| 40x1"1/4x40 | 76 | 207 | 82 | 61 | 22 |
| 40x1"1/2x40 | 76 | 207 | 82 | 63 | 27 |
| 50x1"1/4x50 | 91 | 234 | 90 | 69 | 22 |
| 50x1"1/2x50 | 91 | 234 | 90 | 71 | 27 |
| 63x2"x63 | 107 | 277 | 105 | 85 | 29 |
| 75x2"x75 | 125 | 319 | 119 | 96 | 29 |
| 75x2"1/2x75 | 125 | 319 | 119 | 97 | 30 |
| 90x3"x90 | 150 | 402 | 151 | 111 | 33 |
| 90x4"x90 | 150 | 402 | 151 | 115 | 35 |
| 110x3"x110 | 176 | 460 | 171 | 124 | 33 |
| 110x4"x110 | 176 | 460 | 171 | 129 | 35 |

Tappo Terminale

16941

End Cap - Bouchon de fermeture - Tapón Terminal

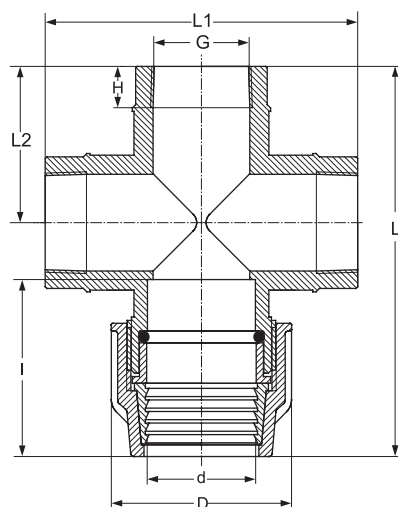
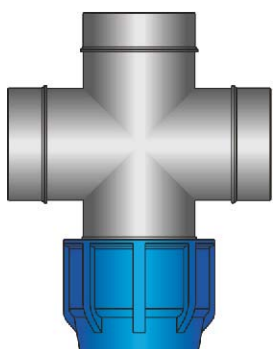


| d | D | L | I |
|-----|-----|-----|-----|
| 16 | 40 | 57 | 42 |
| 20 | 44 | 71 | 53 |
| 25 | 52 | 78 | 59 |
| 32 | 63 | 86 | 67 |
| 40 | 76 | 105 | 82 |
| 50 | 91 | 114 | 90 |
| 63 | 107 | 134 | 105 |
| 75 | 125 | 153 | 119 |
| 90 | 150 | 185 | 151 |
| 110 | 176 | 209 | 171 |

Croce a 3 vie Filettata Femmina

14970

3 way female threaded cross - Croix avec derivations taraudées - Cruz con 3 bocas roscadas hembra

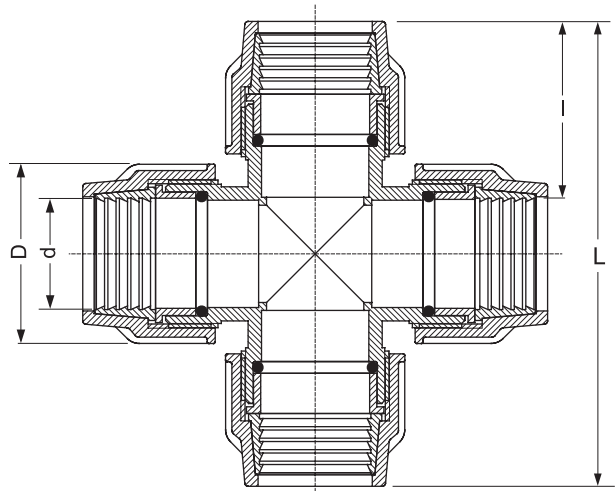
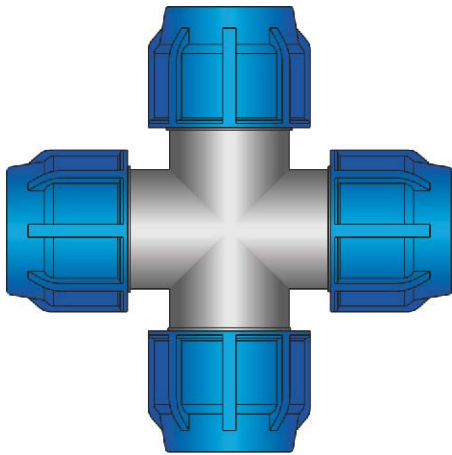


| dxGxGxG | D | L | L1 | L2 | H | I |
|--------------|-----|-----|-----|-----|----|-----|
| 63x2"x2"x2" | 107 | 244 | 190 | 94 | 30 | 105 |
| 75x2"x2"x2" | 125 | 255 | 190 | 94 | 30 | 120 |
| 90x3"x3"x3" | 150 | 310 | 222 | 108 | 33 | 151 |
| 110x4"x4"x4" | 176 | 360 | 260 | 130 | 35 | 171 |

Croce

Cross - Croix - Cruz

14950

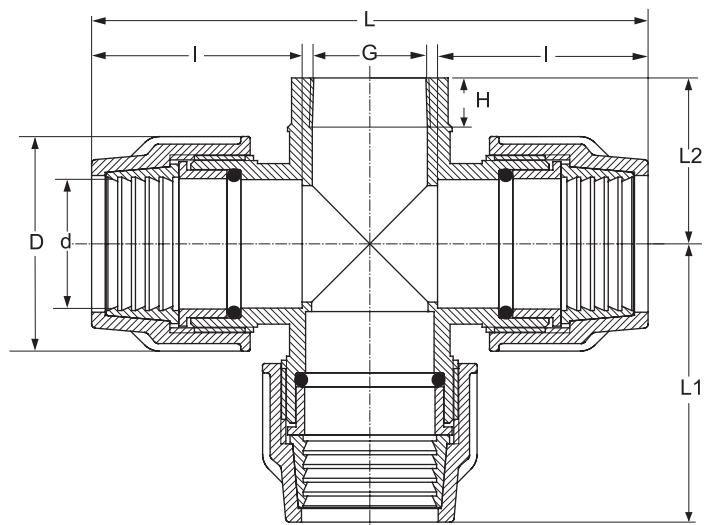
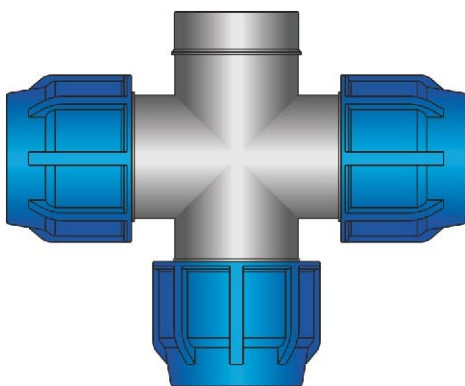


| dxdxd | D | L | I |
|-----------------|-----|-----|-----|
| 75x75x75x75 | 125 | 319 | 119 |
| 90x90x90x90 | 150 | 402 | 151 |
| 110x110x110x110 | 176 | 460 | 171 |

Croce Filettata Femmina

Female threaded cross - Croix avec derivation taraudé - Cruz con derivacion roscada hembra

14965

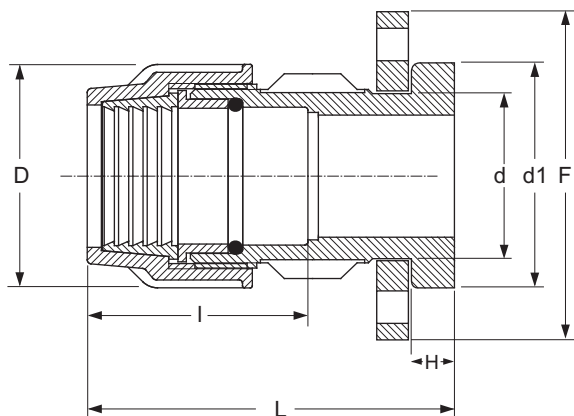
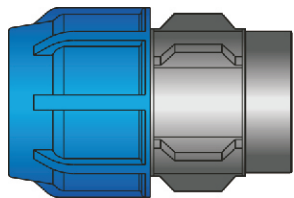


| dxdxdG | D | L | L1 | L2 | H | I |
|----------------|-----|-----|-----|-----|----|-----|
| 110x110x110x4" | 176 | 460 | 230 | 128 | 35 | 171 |

Raccordo Flangiato

15930

Flanged Adaptor - Raccord avec brides - Conectòr con brida

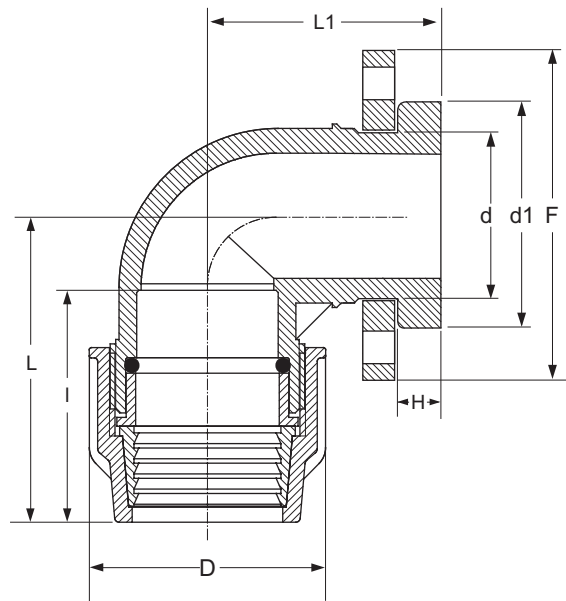
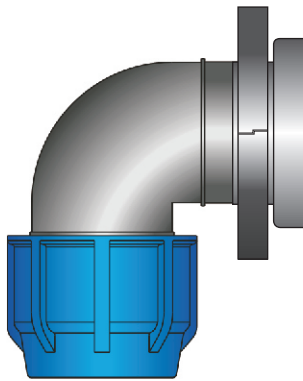


| | D | L | I | H | d | d1 | F |
|--------|-----|-----|-----|------|------|------|-----|
| 50x1"½ | 91 | 157 | 90 | 17,5 | 59,5 | 89,5 | 152 |
| 50x2" | 91 | 157 | 90 | 17,5 | 77 | 103 | 165 |
| 63x2" | 107 | 175 | 105 | 17,5 | 77 | 103 | 165 |
| 63x2"½ | 107 | 175 | 105 | 17,5 | 88 | 122 | 185 |
| 75x2"½ | 125 | 197 | 119 | 19,5 | 88 | 122 | 185 |
| 75x3" | 125 | 197 | 119 | 19,5 | 108 | 138 | 200 |
| 90x3" | 150 | 230 | 151 | 20 | 108 | 138 | 200 |
| 90x4" | 150 | 230 | 151 | 20 | 131 | 158 | 220 |
| 110x4" | 176 | 262 | 171 | 24 | 131 | 158 | 220 |

Gomito 90° Flangiato

16980

90° Flanged Elbow - 90° Coude avec brides - Codo 90° con brida

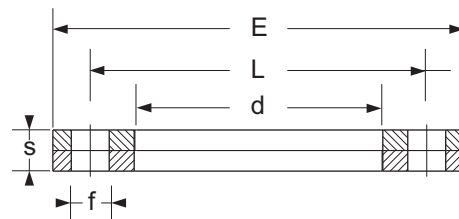
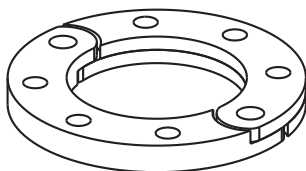


| dxG | D | L | I | L1 | H | d | d1 | F |
|-----------|-----|-----|-----|-----|------|------|------|-----|
| 50x1"1/2" | 91 | 117 | 90 | 71 | 17,5 | 59,5 | 89,5 | 152 |
| 63x2" | 107 | 138 | 105 | 85 | 17,5 | 77 | 103 | 165 |
| 75x2" | 125 | 159 | 119 | 96 | 17,5 | 77 | 103 | 165 |
| 75x2"1/2" | 125 | 159 | 119 | 97 | 19,5 | 88 | 122 | 185 |
| 90x2"1/2" | 150 | 201 | 151 | 108 | 19,5 | 88 | 122 | 185 |
| 90x3" | 150 | 201 | 151 | 150 | 20 | 108 | 138 | 200 |
| 110x3" | 176 | 230 | 171 | 124 | 20 | 108 | 138 | 200 |
| 110x4" | 176 | 230 | 171 | 129 | 24 | 131 | 158 | 220 |

Flangia

FL

Flange - Bride - Bride



| DN | ø | E | d | L | f | s | N (numero fori / number holes) |
|-----|--------|-----|-----|-----|----|----|--------------------------------|
| 40 | 1"1/2 | 152 | 62 | 110 | 18 | 18 | 4 |
| 50 | 2" | 165 | 78 | 125 | 18 | 18 | 4 |
| 65 | 2" 1/2 | 185 | 92 | 145 | 18 | 20 | 8 |
| 80 | 3" | 200 | 110 | 160 | 18 | 20 | 8 |
| 100 | 4" | 220 | 133 | 180 | 18 | 24 | 8 |
| 125 | 5" | 250 | 167 | 210 | 18 | 26 | 8 |
| 150 | 6" | 285 | 190 | 240 | 22 | 28 | 8 |



Sistema di Gestione per la
Qualità
UNI EN ISO 9001:2008



Sistema di Gestione
Ambientale
UNI EN ISO 14001:2004



PLASTICA ALFA

Zona Industriale C.da Balchino - P.O Box 121 - 95041 Caltagirone (CT) ITALY

Tel. +39.0933.51973 - Fax. +39.0933.53049

e.mail: info@plasticalfa.com - exportdpt@plasticalfa.it

www.plasticalfa.it